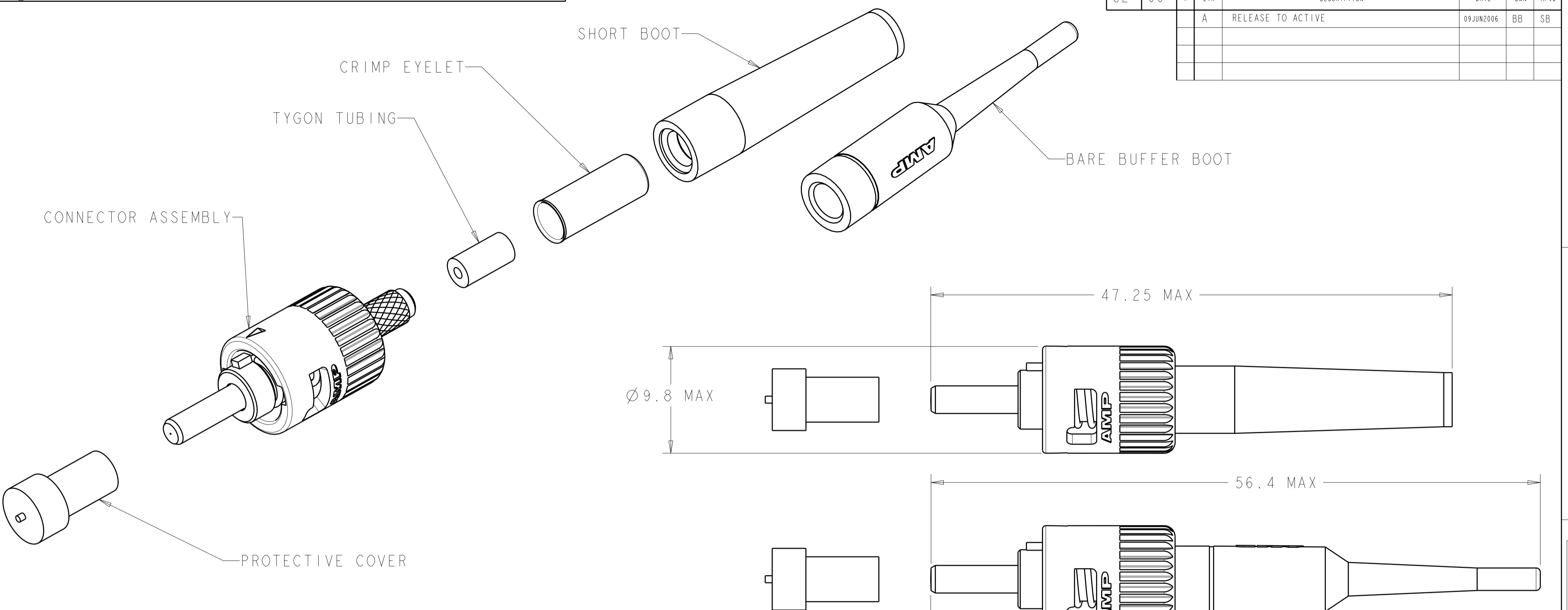


THIS DRAWING IS UNPUBLISHED. RELEASED FOR PUBLICATION 20  
 © COPYRIGHT 20 BY TYCO ELECTRONICS CORPORATION. ALL RIGHTS RESERVED.

LOC	DIST	REVISIONS			
P	LTR	DESCRIPTION	DATE	DWN	APVD
CE	00	A	RELEASE TO ACTIVE	09JUN2006	BB SB



**MATERIAL:**  
 PROTECTIVE COVER: LDPE, COLOR: BLACK, NON-FR.  
 CONNECTOR ASSEMBLY  
 FERRULE ASSEMBLY: PES-GF20, COLOR: WHITE/ARP-GF30, COLOR: BLACK.\*  
 SPRING: STAINLESS STEEL.  
 COUPLING NUT: PBT-GF17, COLOR: BLACK.\*  
 RETENTION RING: STAINLESS STEEL.  
 CRIMP EYELET: TIN PLATED COPPER.  
 SHORT BOOT: TPE, COLOR: BLACK.\*  
 BUFFER BOOT: TPE, COLOR: BLACK.\*  
 TYGON TUBING: TYGON, COLOR: CLEAR.  
 \*UL94 V-0 RATED AT QUALIFYING THICKNESS.

125um	5503415-1
FIBER SIZE	PART NUMBER

THIS DRAWING IS A CONTROLLED DOCUMENT FOR TYCO ELECTRONICS CORPORATION. IT IS SUBJECT TO CHANGE AND THE CONTROLLING ENGINEERING ORGANIZATION SHOULD BE CONTACTED FOR THE LATEST REVISION.		DWN B. BRIGGS 22 JUN 2005	Tyco Electronics Harrisburg, PA 17105-3608	
DIMENSIONS: mm		CHK S. BUCHTER 22 JUN 2005	NAME CONNECTOR KIT, POLYMER COMPOSITE OVERMOLDED, BAYONET	
TOLERANCES UNLESS OTHERWISE SPECIFIED: 0 PLC ± 1 PLC ± 2 PLC ± 3 PLC ± 4 PLC ± ANGLES ± FINISH		APVD S. BUCHTER 22 JUN 2005	RESTRICTED TO	
MATERIAL		PRODUCT SPEC	SIZE A200779	DRAWING NO 5503415
-		APPLICATION SPEC	SCALE 4:1	SHEET OF REV A
-		WEIGHT	CUSTOMER DRAWING	